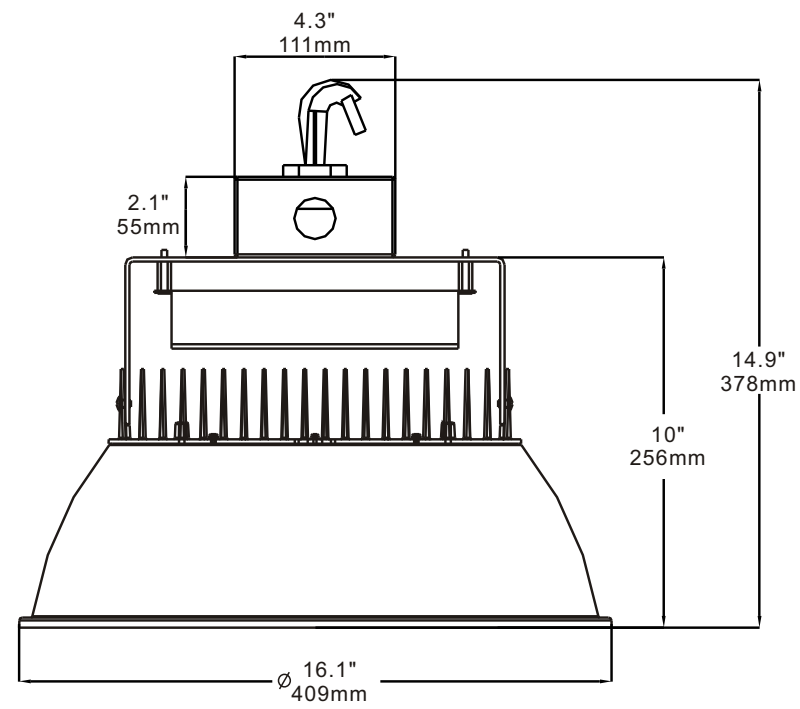


### Dimensions



# INDUSTRIAL LED LIGHTING

## LED HIGH BAY

### LED-465 40 LEDs



## LED HIGH BAY

# LED-465 40 LEDs

## INDUSTRIAL LED LIGHTING

### Applications

This LED Highbay performs efficiently and is designed to be placed between 6-8 meter mounting heights with minimized glaring level. A unique feature is the quick disconnected cable, it can quickly separate the driver from the LED module for easy maintenance. The unit comes with a hook made of die-cast aluminum for a strong and easy installation.

### Specification Features

- IP65
- UL and CUL listed for damp locations.
- Hook for easy mounting.
- Die-cast hook (included)
- Reflector comes in 16 inches white
- Temper glass included
- Safety quick connect cable provided for easy installations and maintenance

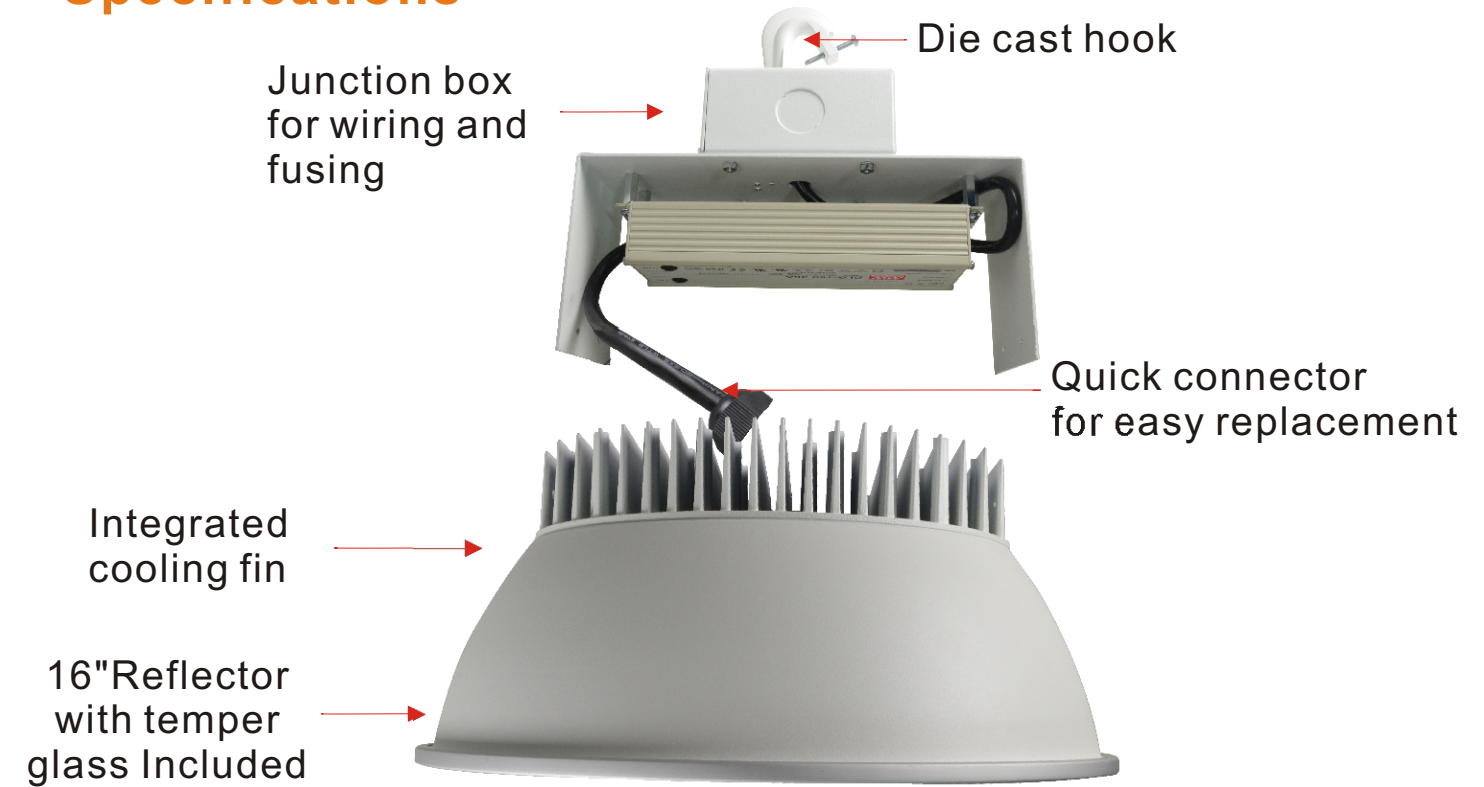
### Technical Specifications

- Input voltage: 120~277V AC
- Quality long life CREE LEDs
- Low Tj for long life, low lumen depreciation
- LED power — 145 watts
- Lumens — 11000+lumen
- Low starting temp-40°C
- Color temperature — 4700K
- Various optics available



Powered by **CREE** LEDs™

### Specifications



### Line Drawing

